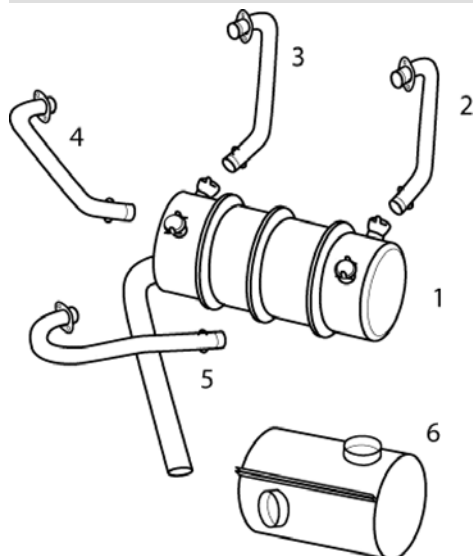


**DIAMOND
DA 20 (ROTAX)**

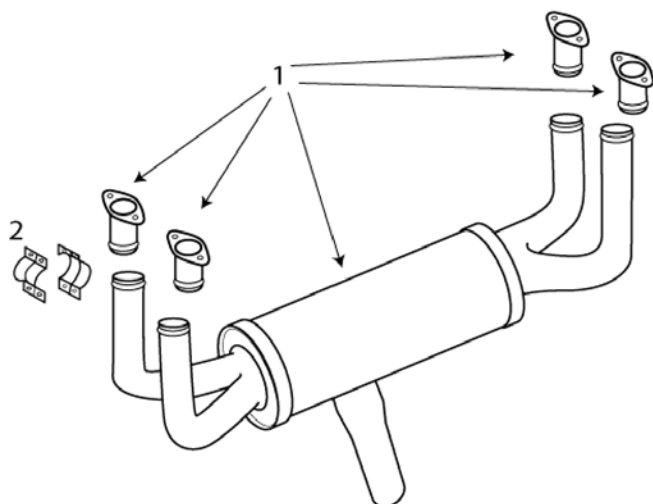
Inspect inner baffles and outer shell for cracks.



ITEM	OEM PART NO	DESCRIPTION	Condition
01	20-7500-00-00	MUFFLER	OH
02	20-7800-01-03	LR RISER	OH
03	20-7800-01-07	RR RISER	OH
04	20-7800-01-04	RF RISER	OH
05	20-7800-01-05	LF RISER	OH
06	20-7500-03-01	SHROUD	OH

DA 20 C1 ECLIPSE

Internal baffles are required for mufflers to be airworthy.



ITEM	OEM PART NO	DESCRIPTION	Condition
01	DC0001	EXHAUST SYSTEM W/RISERS	OH
02	CLAMP	RISER CLAMP	NEW