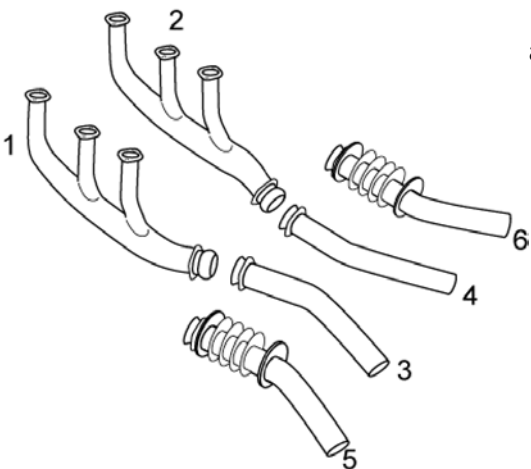


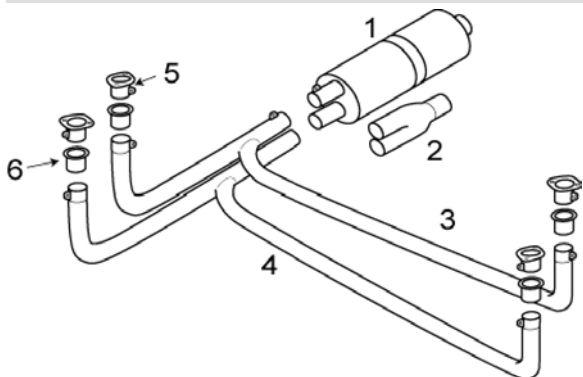
**HELIO
COURIER**



Inspect stacks opposite of riser tubes for heat distortion and bulging.

ITEM	OEM PART NO	DESCRIPTION	Condition
01	395-061-001-00	LH STACK	OH
02	395-061-001-02	RH STACK	OH
03	395-061-001-52	LH TAILPIPE	OH
04	395-061-001-54	RH TAILPIPE	OH
05	395-061-001-44	LH TAILPIPE	OH
06	395-061-001-38	RH TAILPIPE	OH
NS	77611	GASKET	NEW
NS	COURIER SK	SPRING KIT	NEW

**HUGHES
269 C**



ITEM	OEM PART NO	DESCRIPTION	Condition
01	269A8801-3	MUFFLER	OH
02	269AB238	COLLECTOR	OH
03	269AB214-39	CYL # 1 & 2 STACK	OH
04	269AB206-61	CYL # 3 & 4 STACK	OH
05	269AB207-3	FLANGE	OH
06	269AB225	SEAL	OH