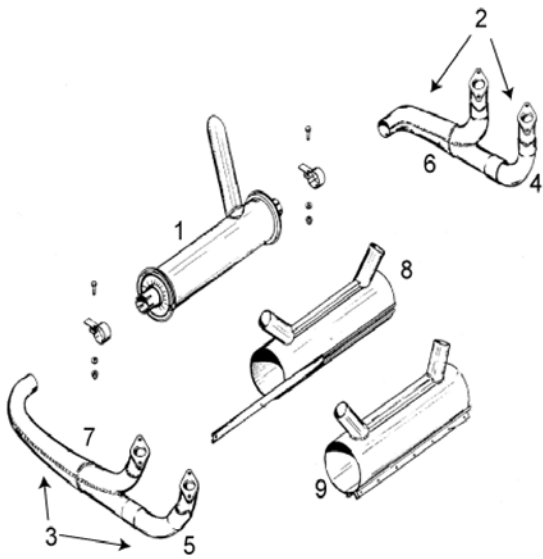


**PARTENAVIA**

**P-68C**

**Service bulletin 83 on mufflers**

1980 switched to 1037B-1,-2 shrouds. The only difference is the use of screws and tinnermans vs. shroud clip.



| ITEM | OEM PART NO  | DESCRIPTION    | Condition |
|------|--------------|----------------|-----------|
| 01   | 68-6.1033-1  | LE MUFFLER     | OH        |
| 01   | 68-6.1033-2  | RE MUFFLER     | OH        |
| 02   | 68-6.1069-2  | LH STACK ASSY  | OH        |
| 03   | 68-6.1069-1  | RH STACK ASSY  | OH        |
| 04   | 68-6.1069-4  | LH FRONT STACK | OH        |
| 05   | 68-6.1069-3  | RH FRONT STACK | OH        |
| 06   | 68-6.1069-6  | LH REAR STACK  | OH        |
| 07   | 68-6.1069-5  | RH REAR STACK  | OH        |
| 08   | 68-6,1037-1  | LE SHROUD      | OH        |
| 08   | 68-6,1037-2  | RE SHROUD      | OH        |
| 09   | 68-6.1037B-1 | LE SHROUD      | OH        |
| 09   | 68-6.1037B-2 | RE SHROUD      | OH        |